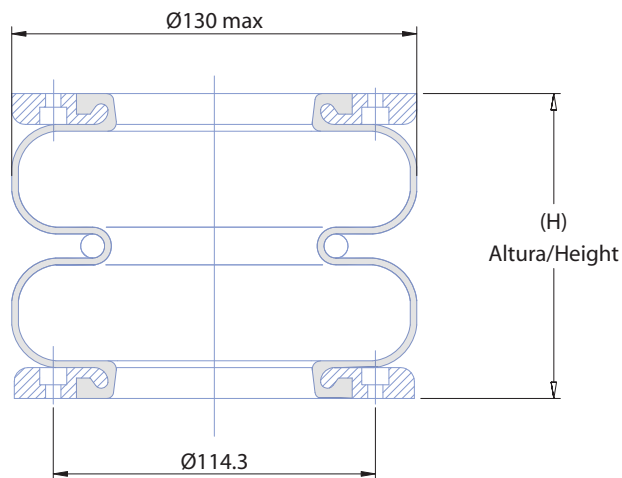
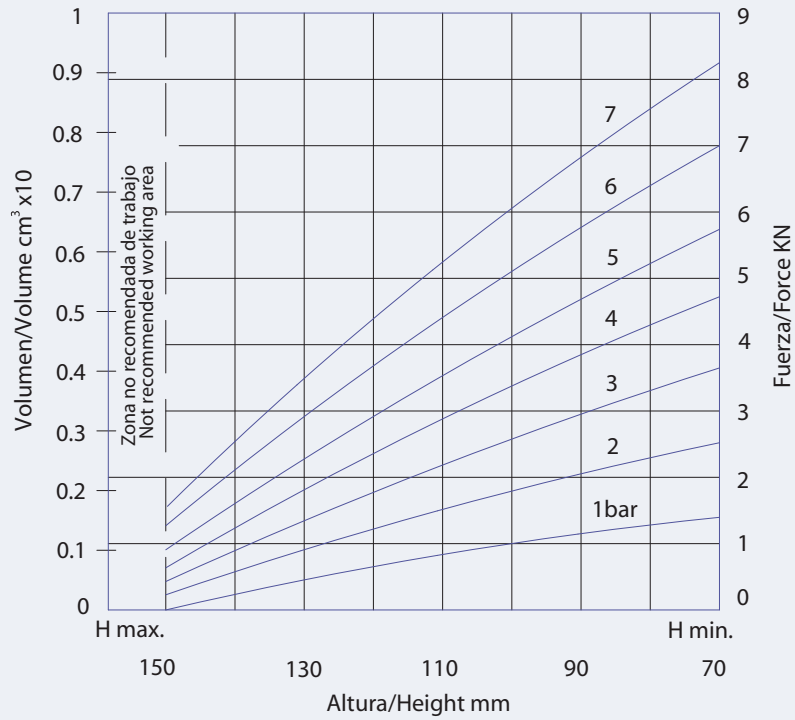


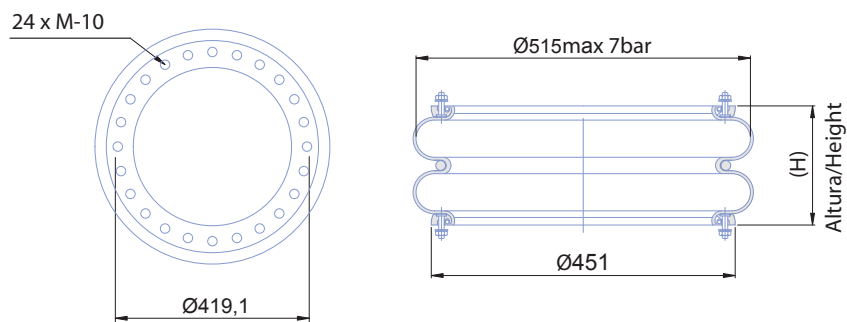
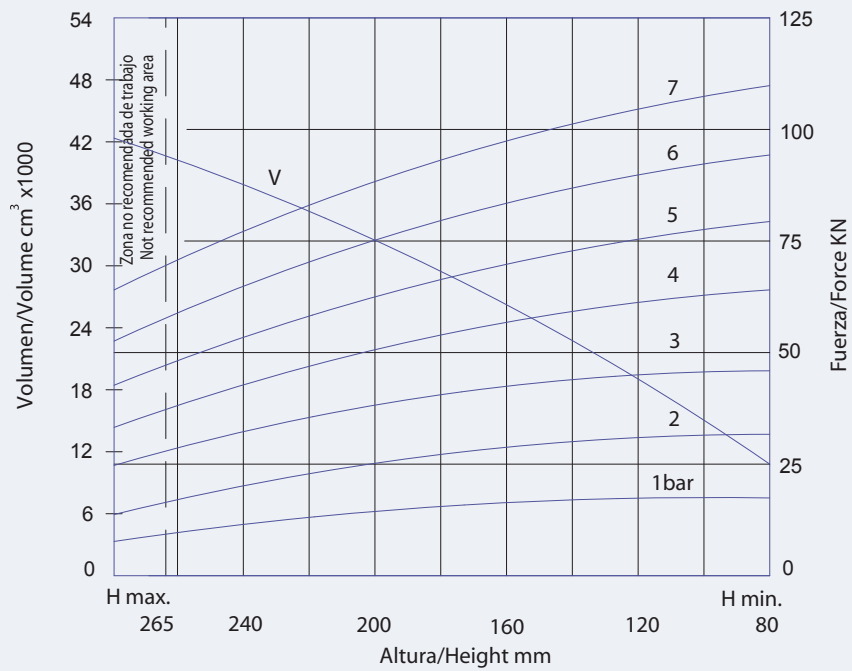
F series

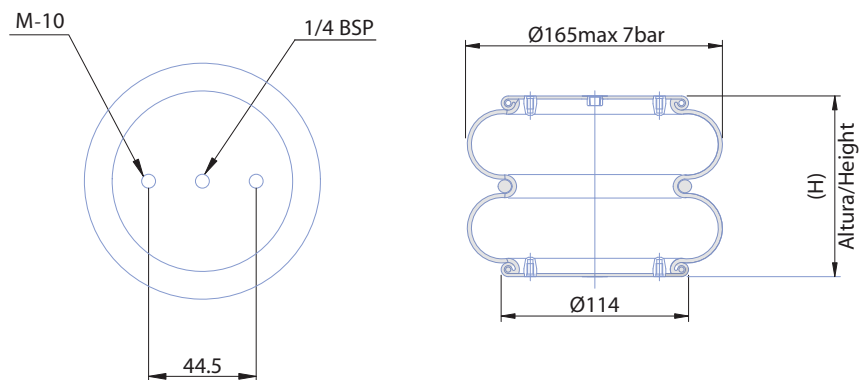
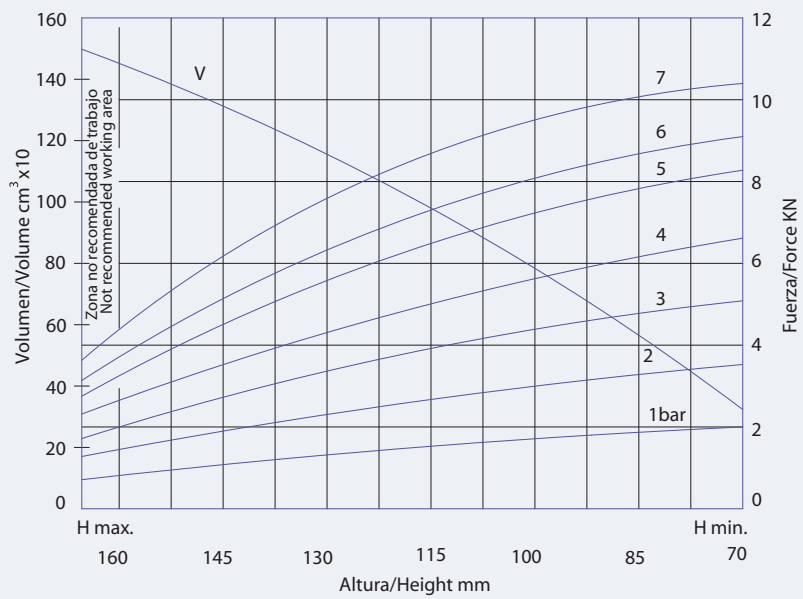
2 Convolution

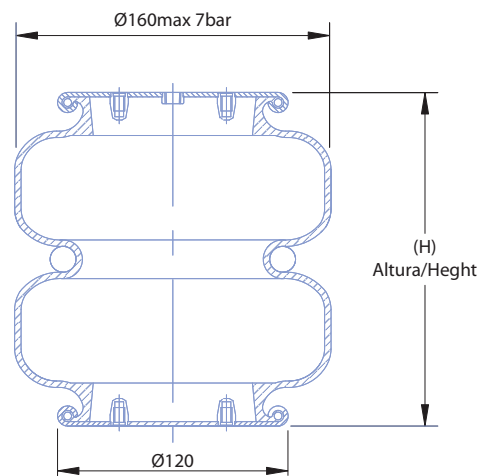
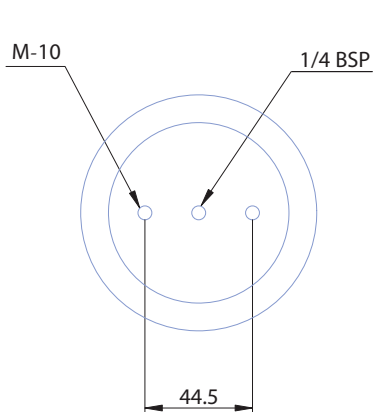
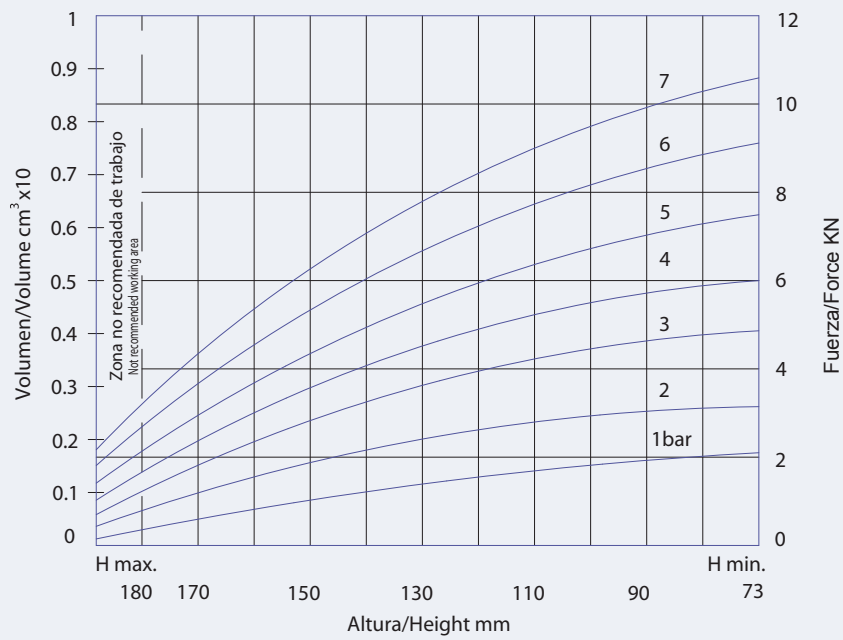


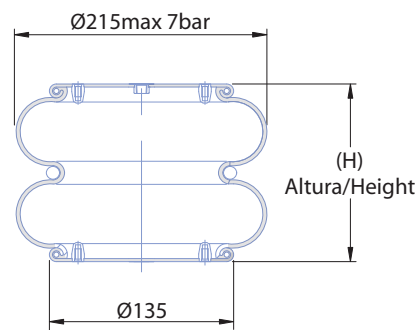
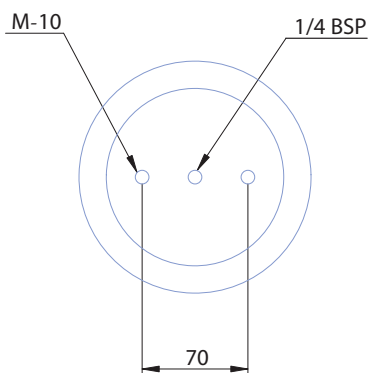
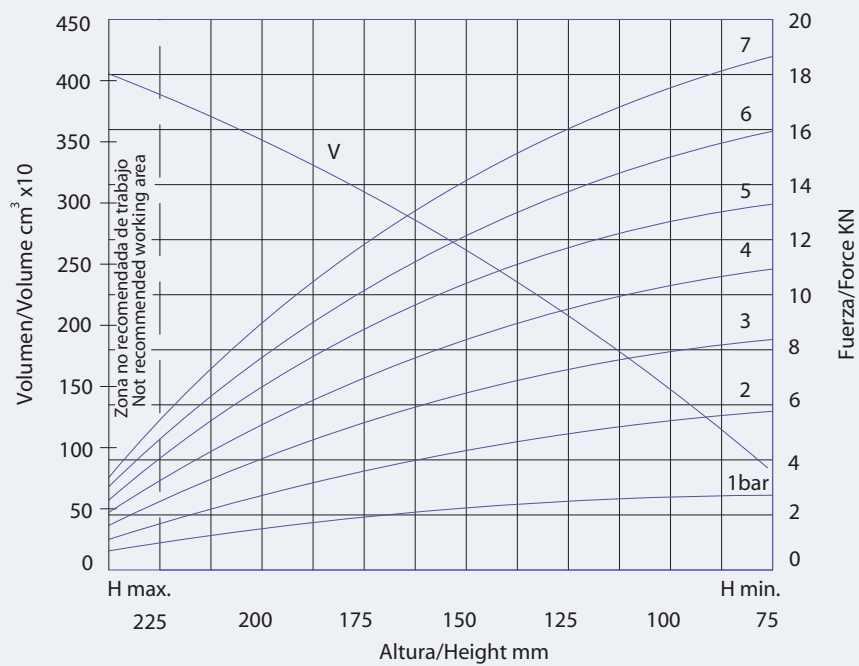
DATA SHEET

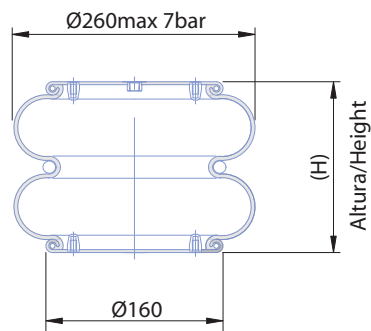
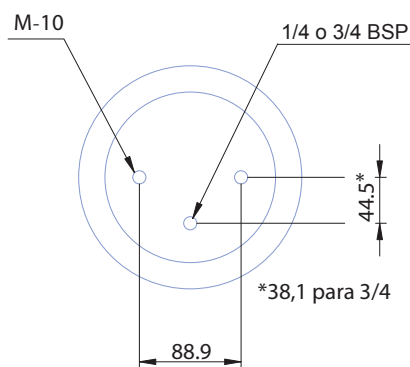
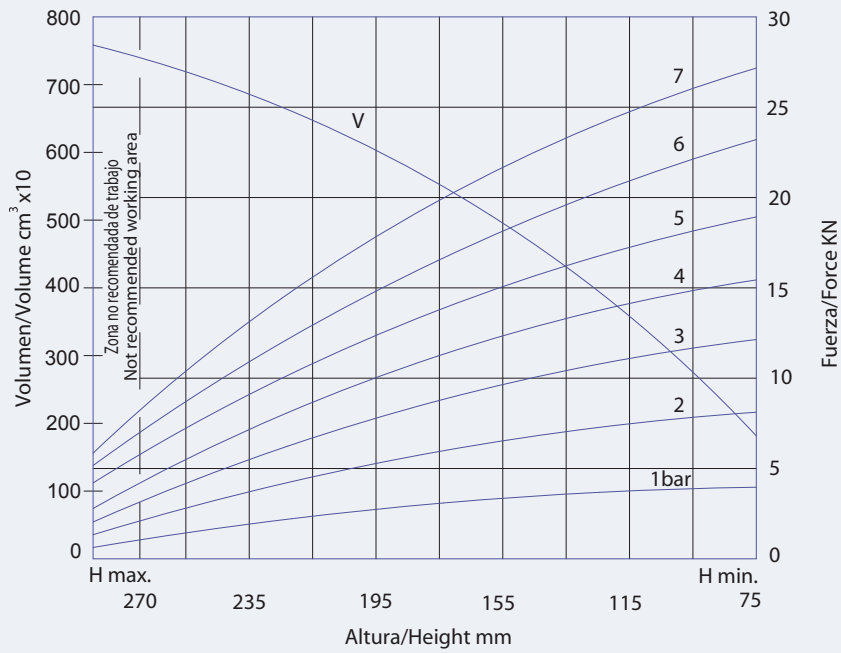












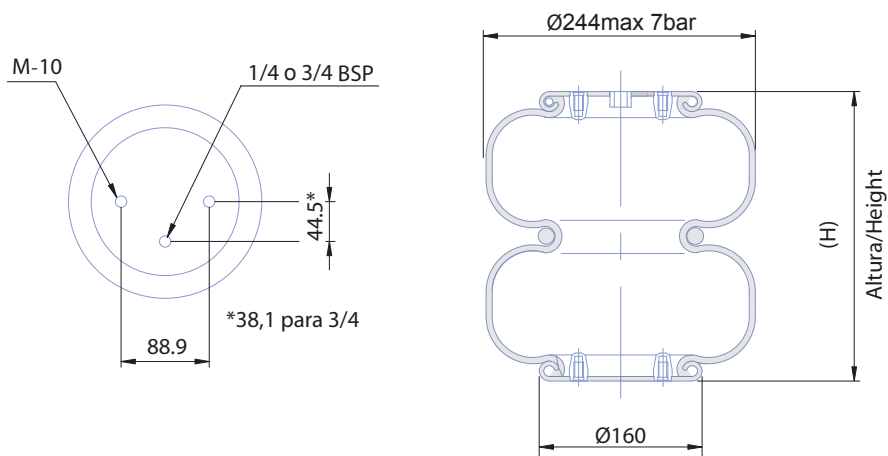
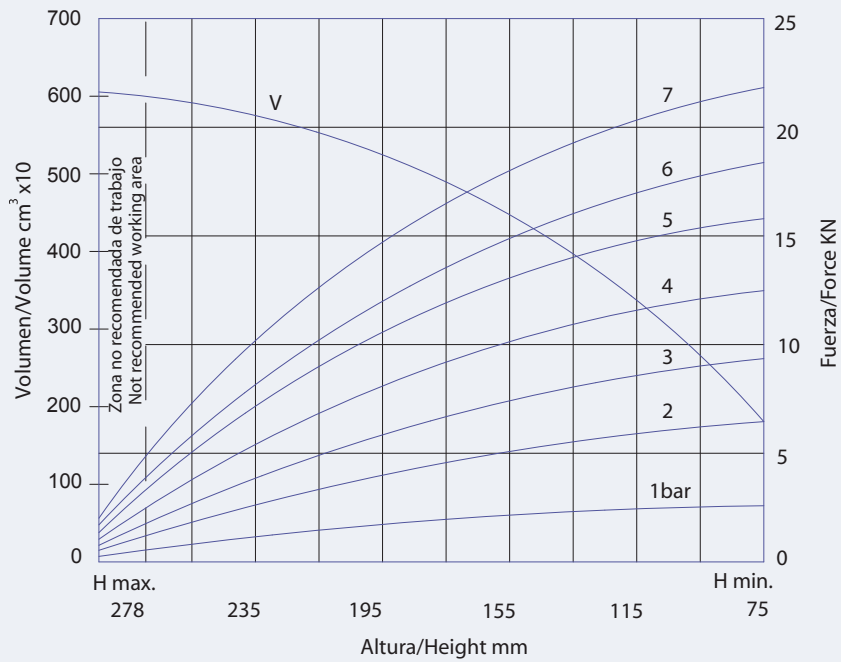
Actuador

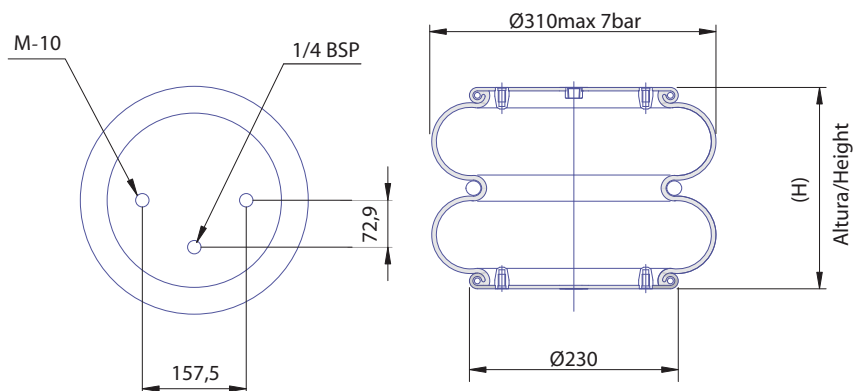
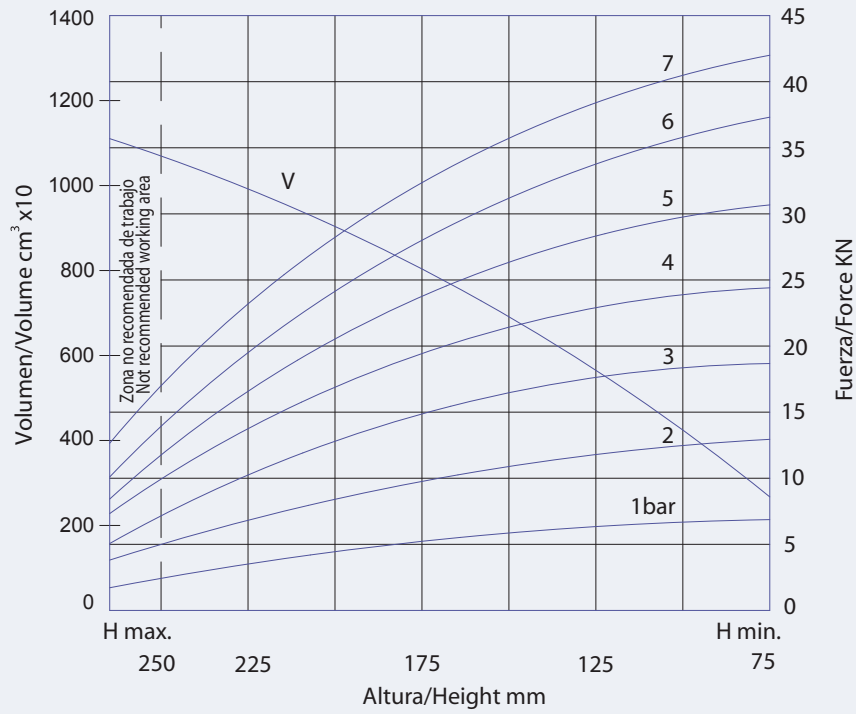
Air spring

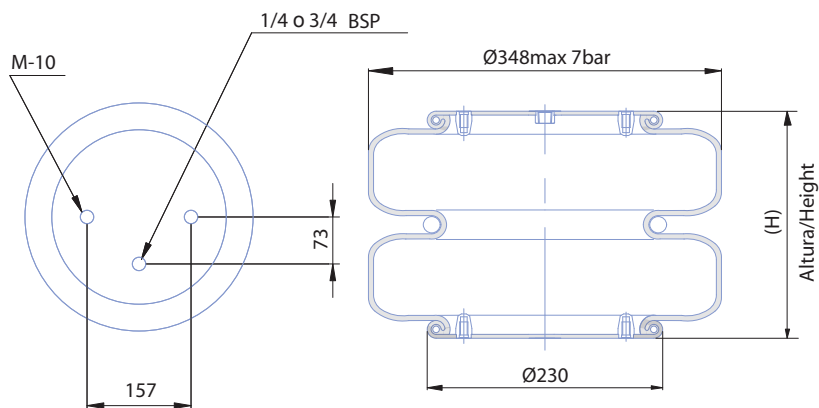
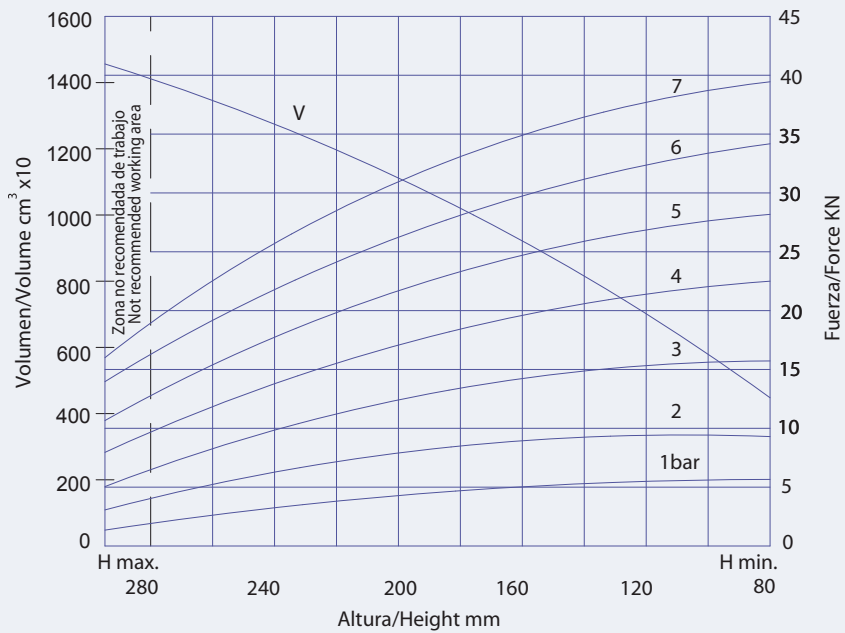
SERIE "F"

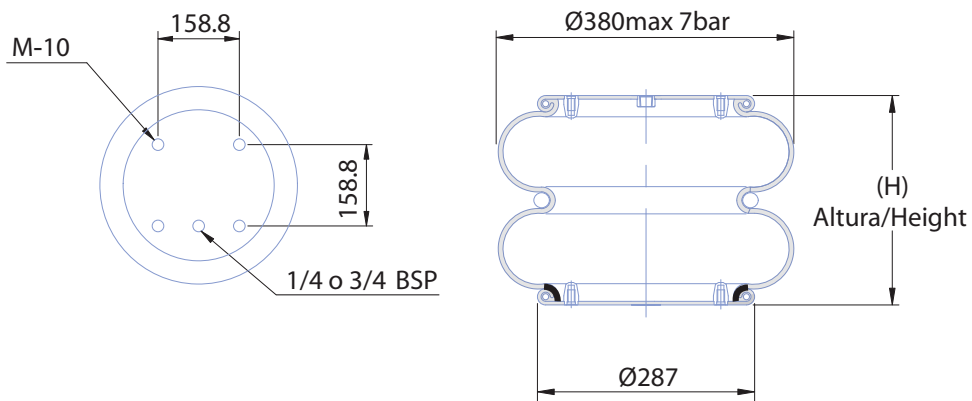
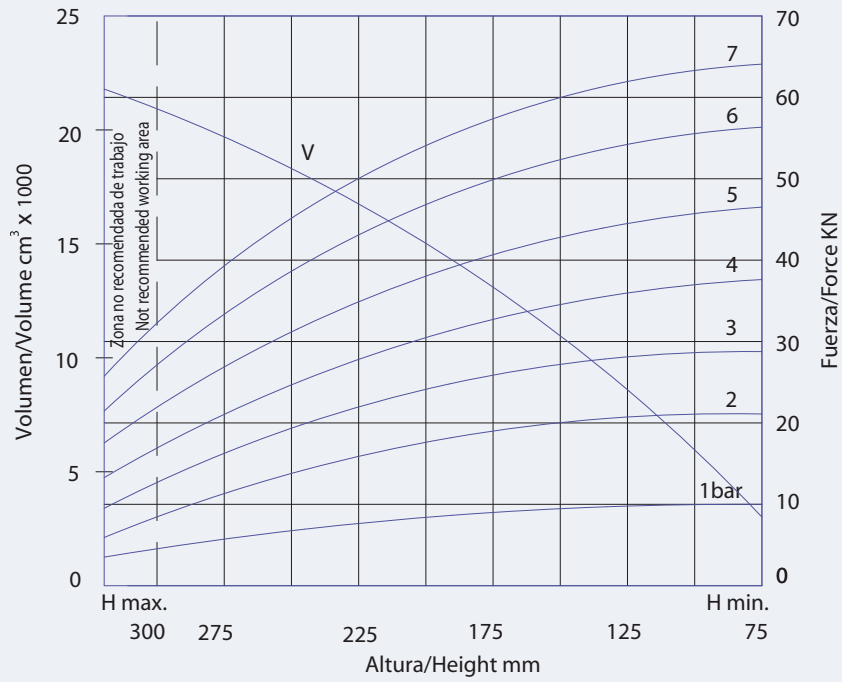
2 Ondas / 2 Convolutions

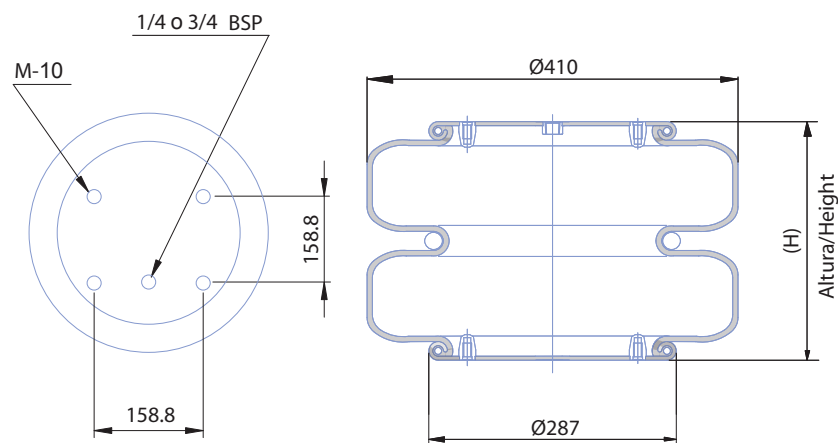
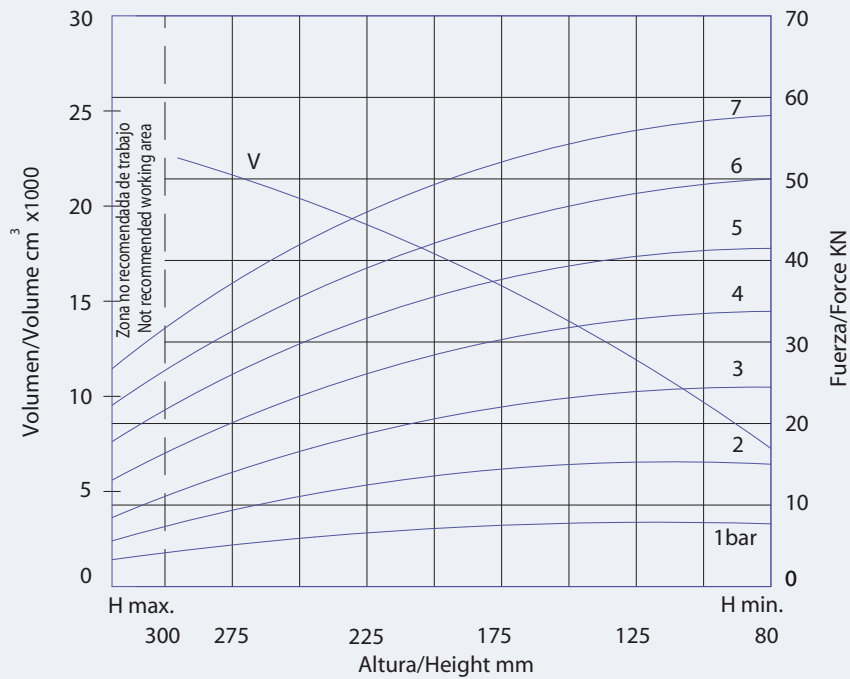
M - 85 E

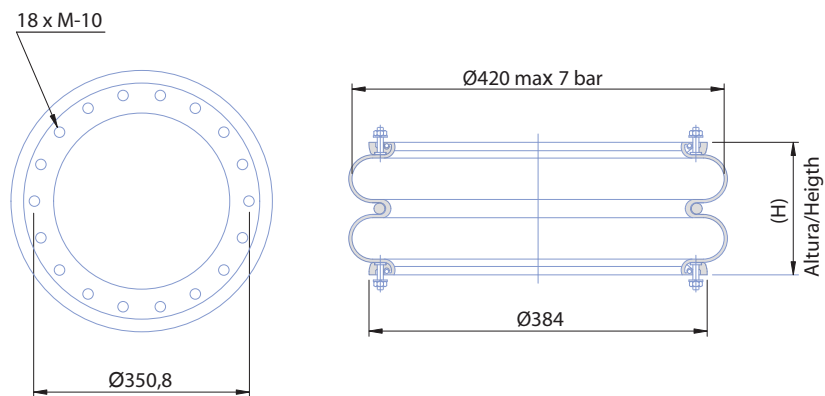
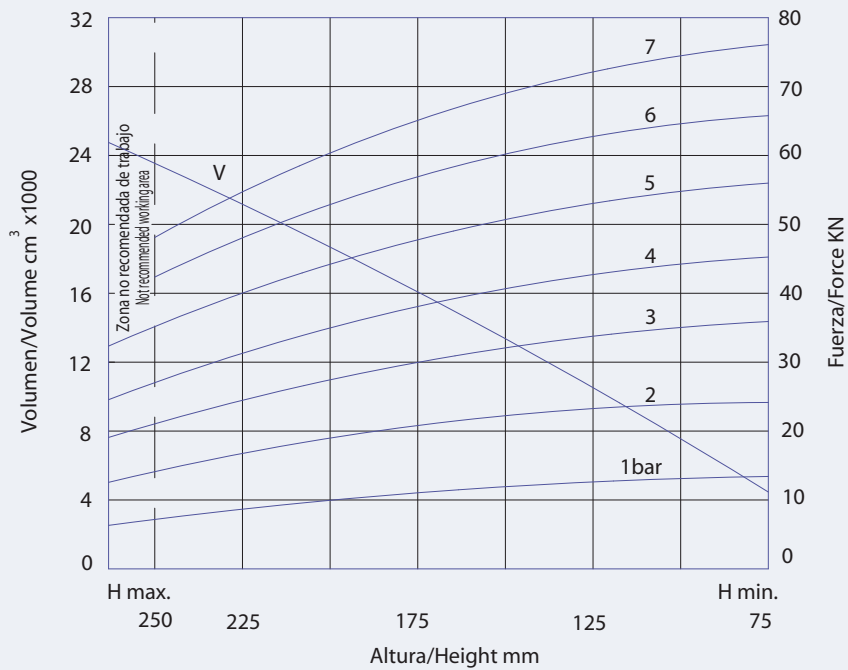


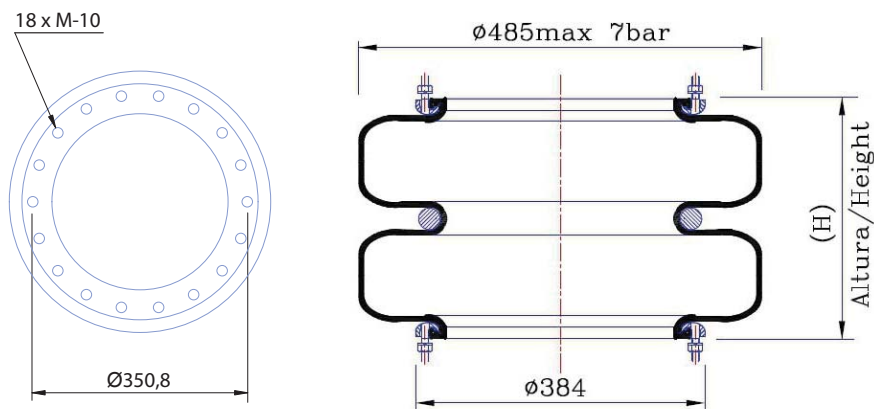
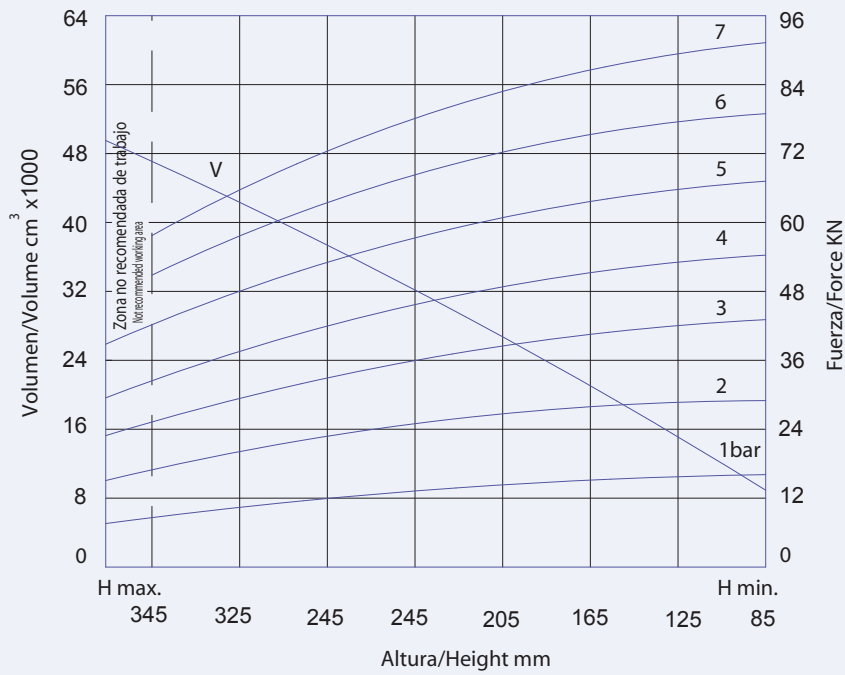




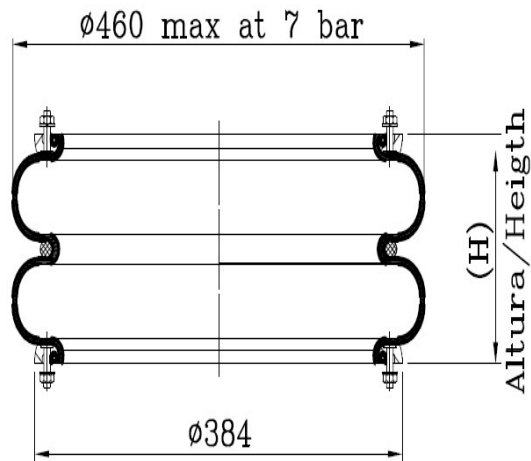
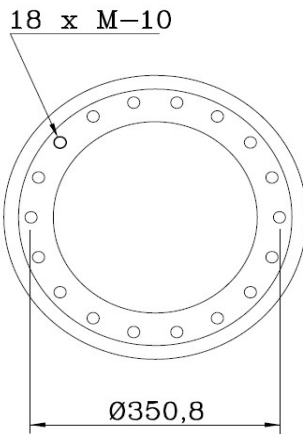
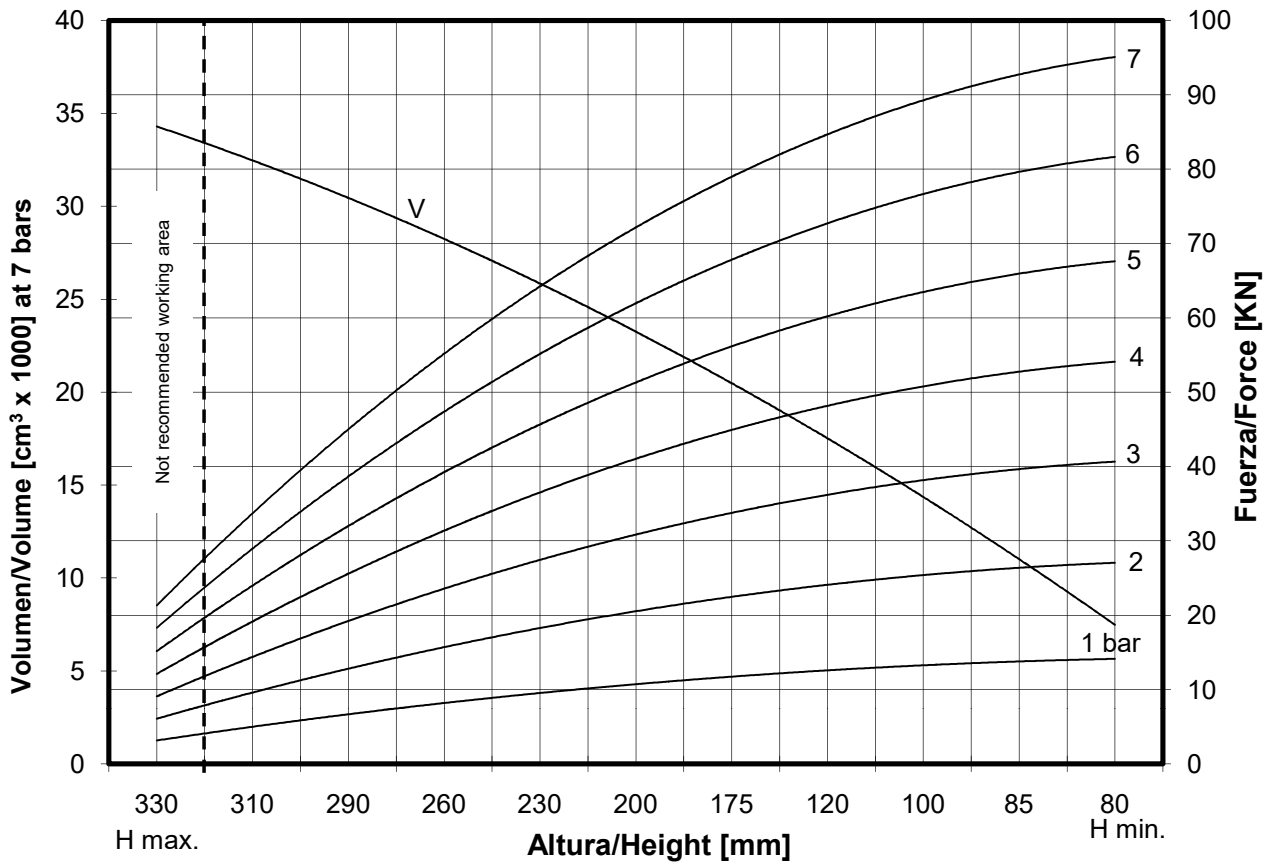




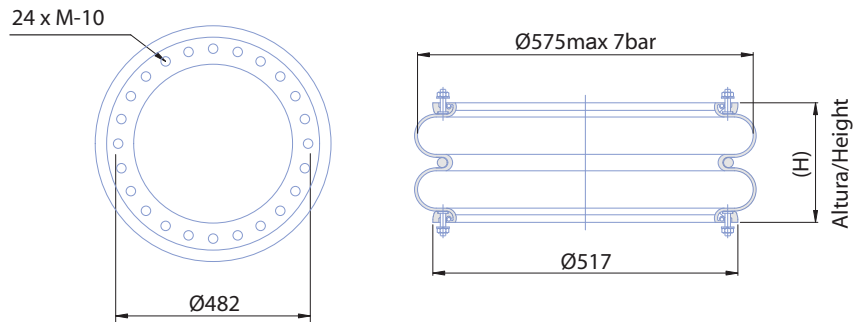
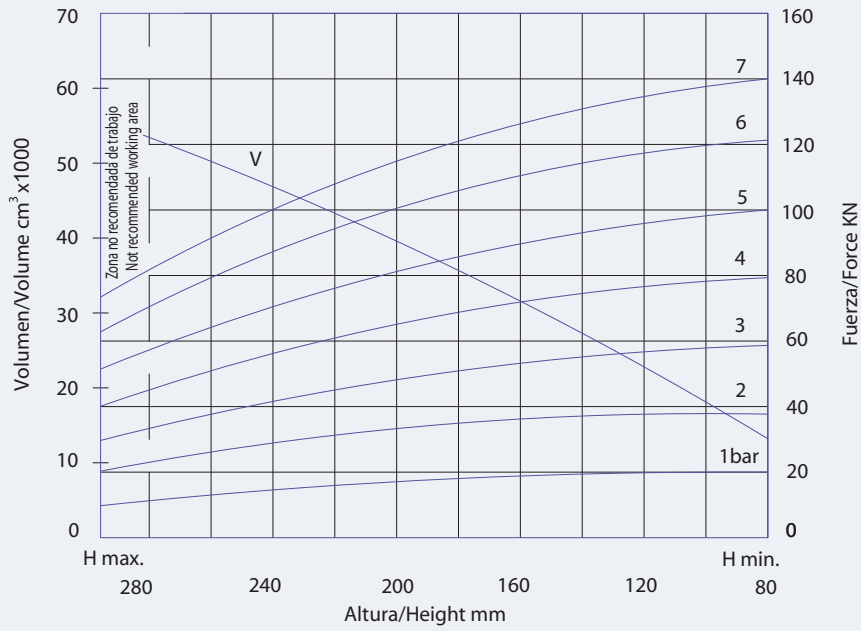


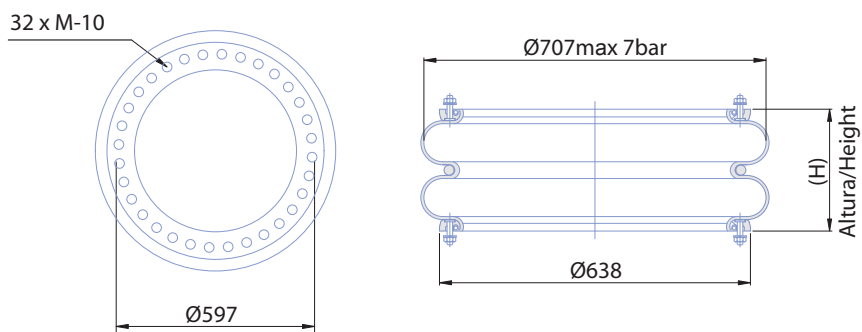
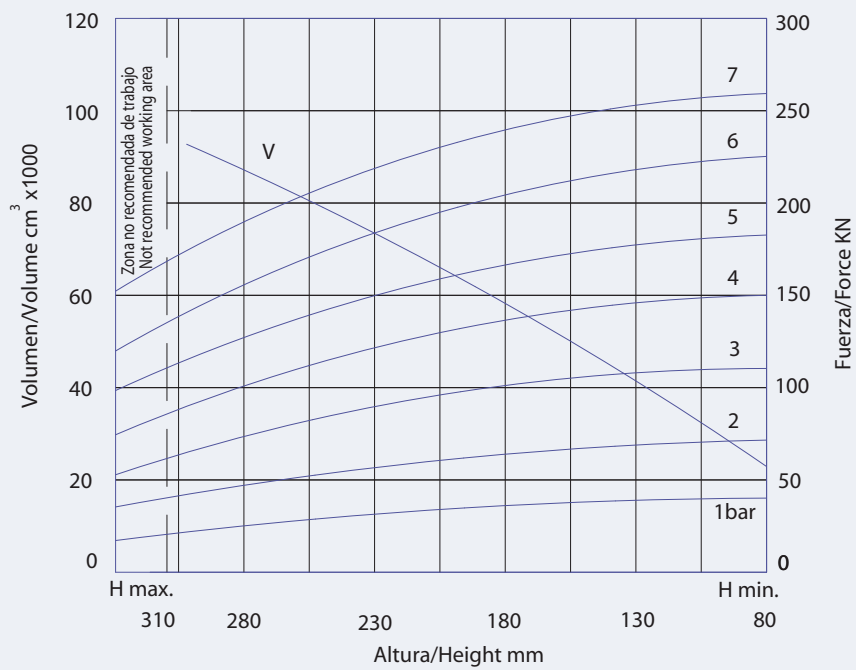


AIR SPRING M-110-E/2



M-118-2





M-140-2

