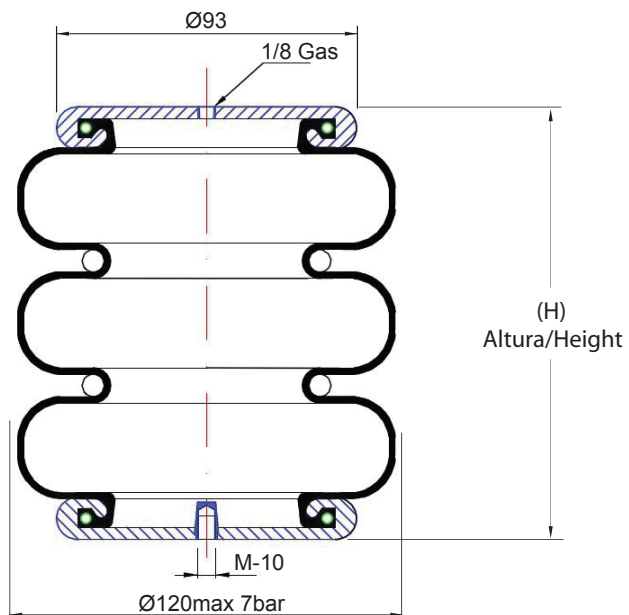
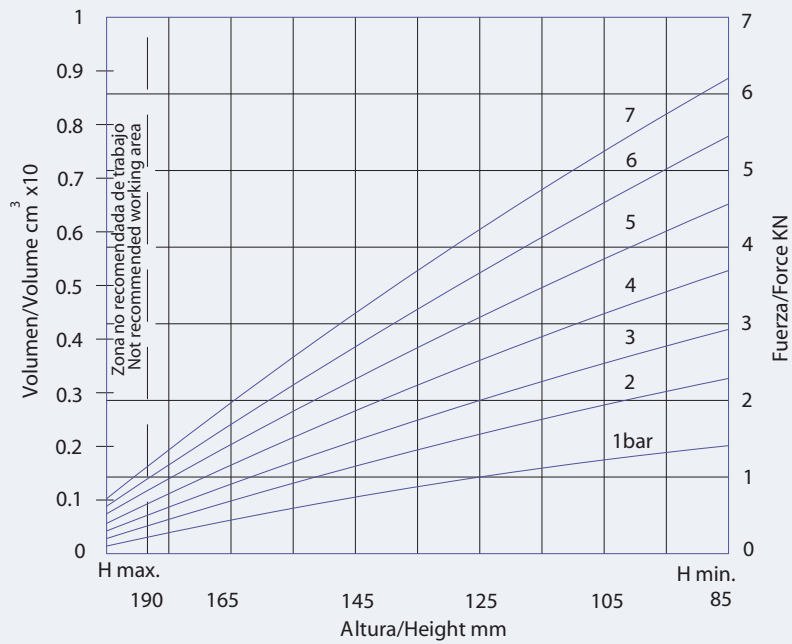


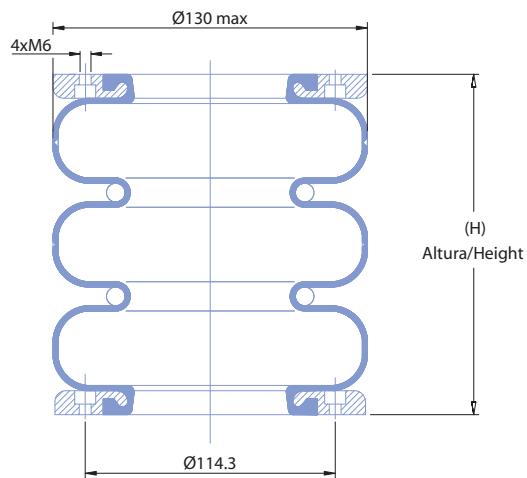
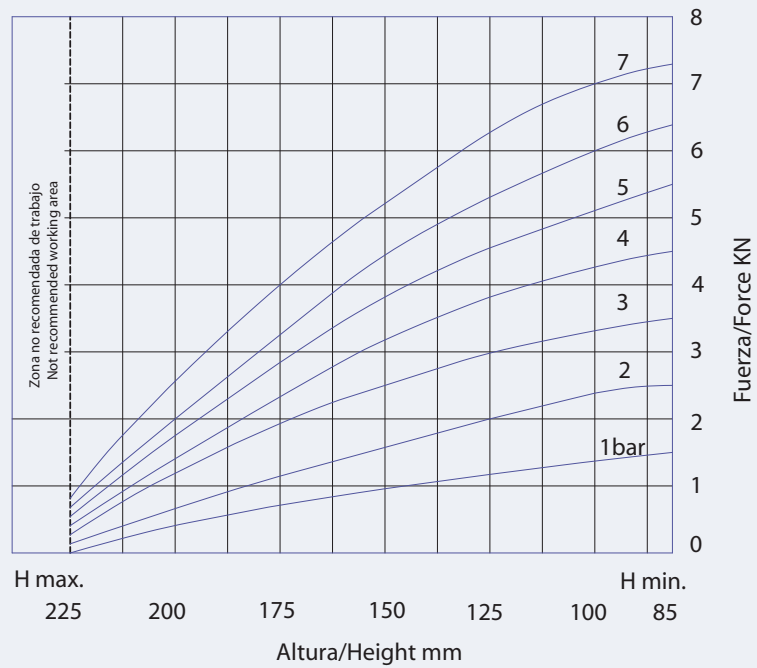
F series

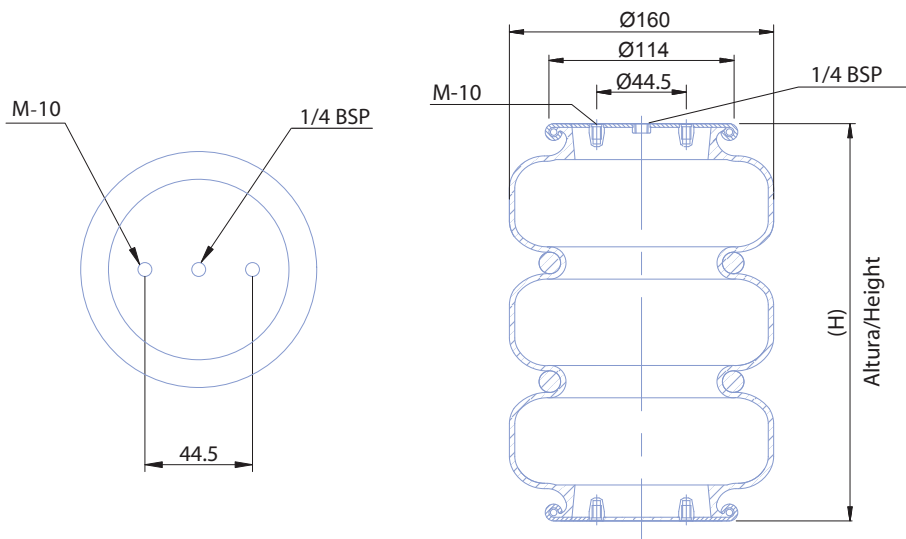
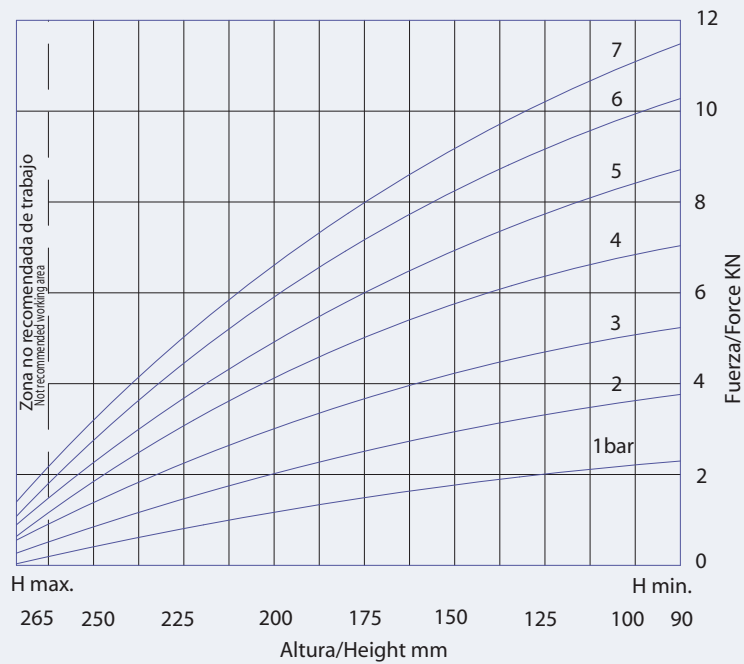
3 Convolution

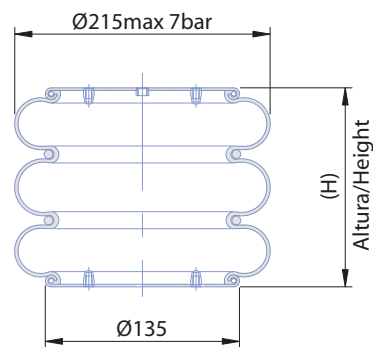
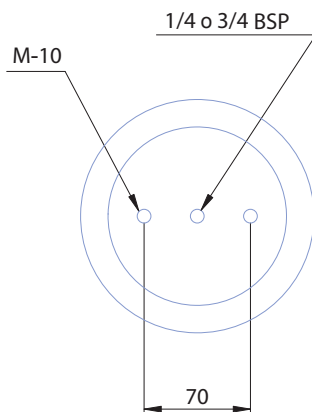
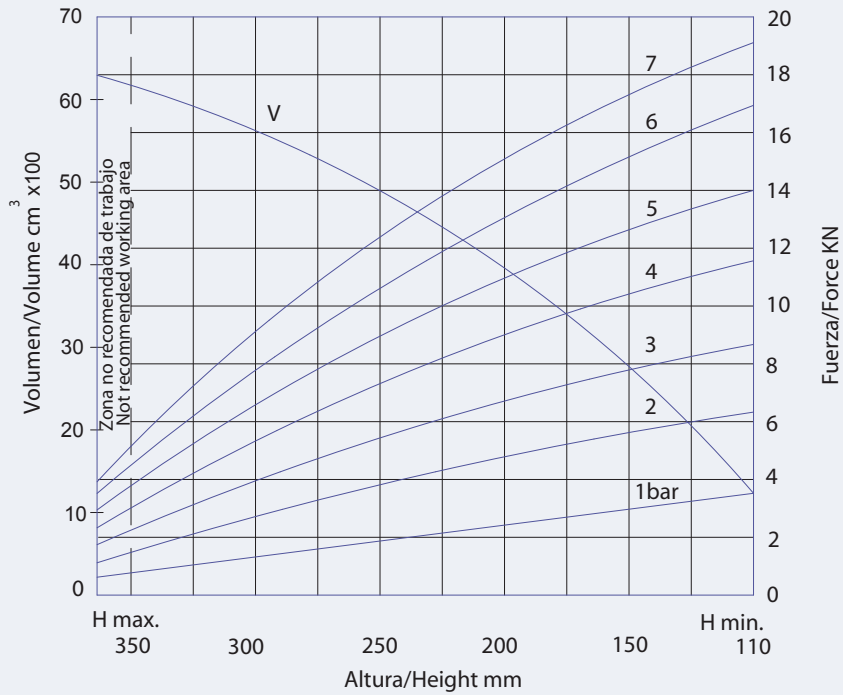


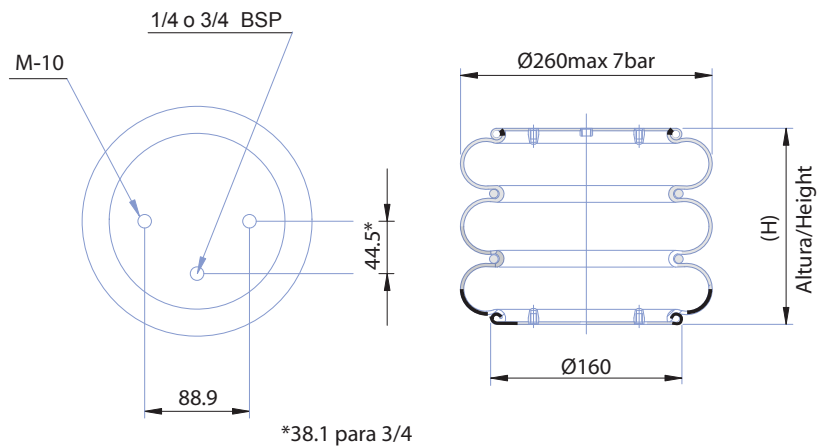
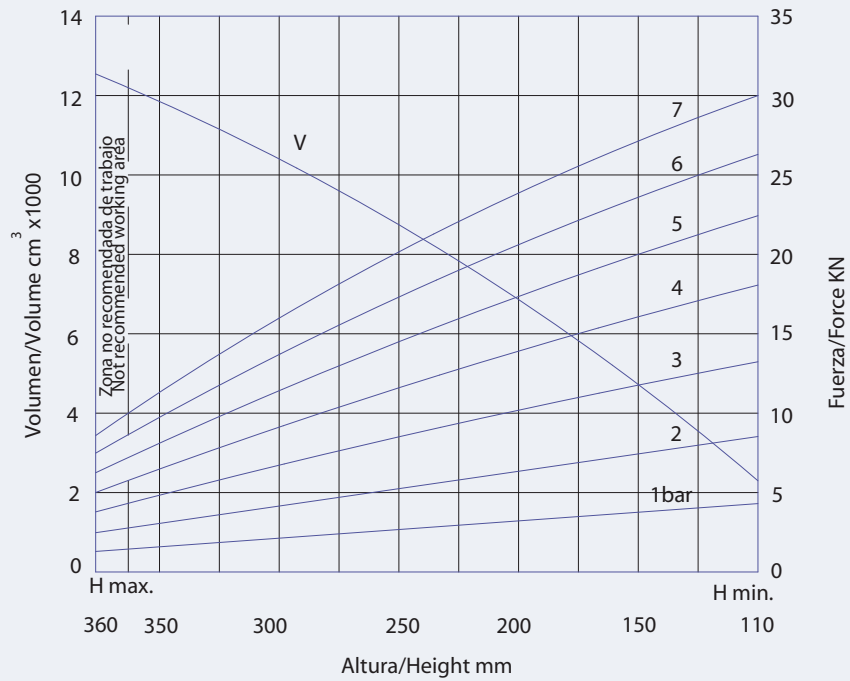
DATA SHEET

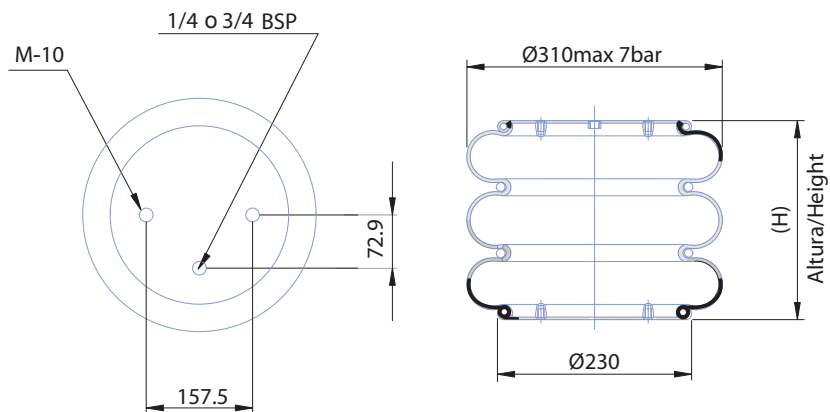
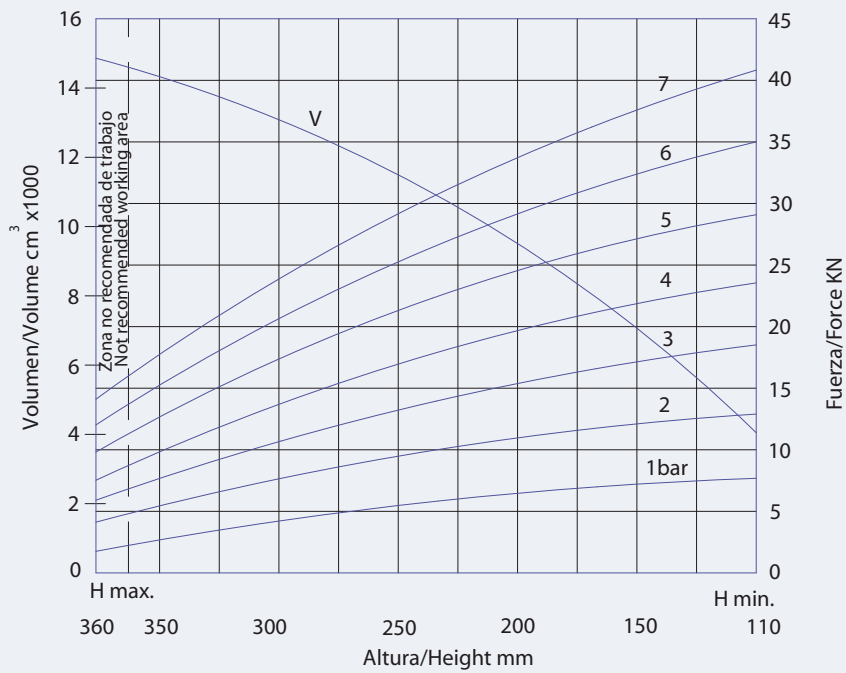


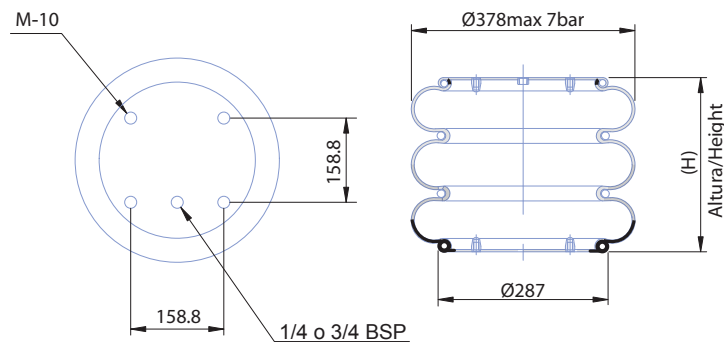
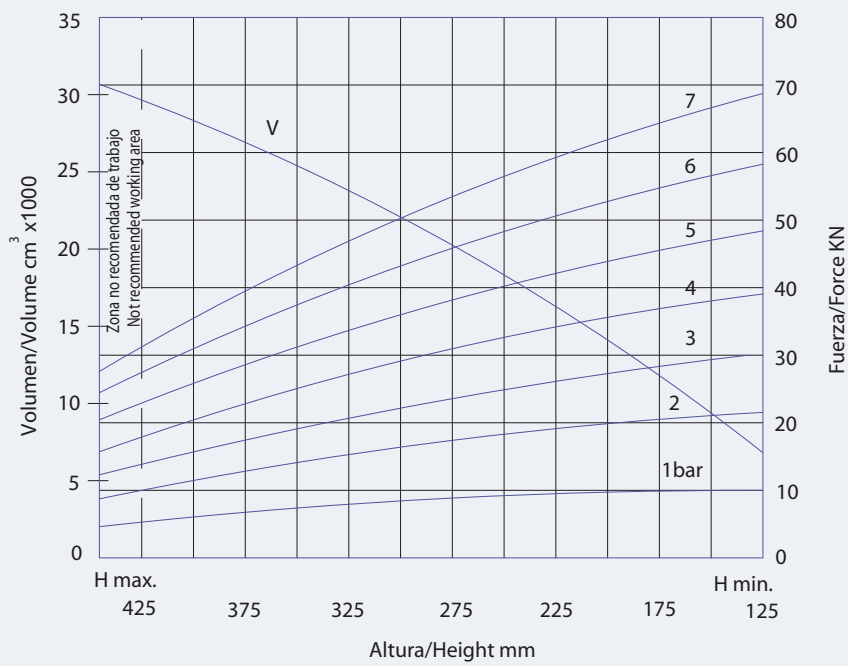












M - 113

